

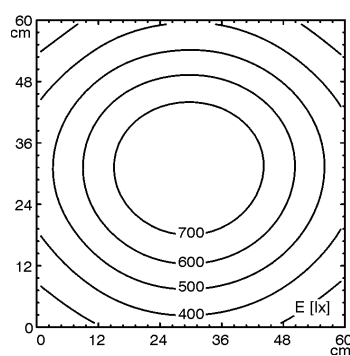
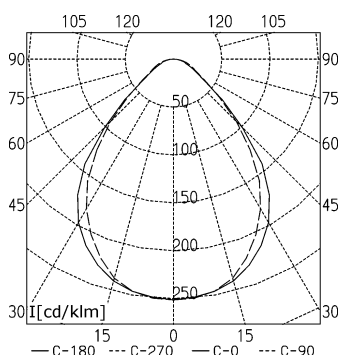
## Task Luminaire



**diva 910 - PTE 111**

connected load	220-240V; 50/60Hz
fitted with	1 x TC-SEL 11 W
work equipment	electronic ballast
mains lead	approx. 3.0 m; Euro plug
luminaire body	sectional aluminium
material	anodised
surface	
tubular sections	tubular aluminium section
material	anodized
surface	
weight (net)	approx. 1,5 kg
fastening	table base (accessory)~table clamp (accessory)~wall bracket (accessory)
power consumption	approx. 12 W
technology	switchable
usage	switch
glare-free	conical prismatic screen
balance of articulation joints	spring
class of protection	II
colour luminaire body	aluminium coloured anodised
colour of tubular sections	aluminium coloured anodised
article no.	112295007

E<sub>min</sub>: 293 lx  
 E<sub>m</sub>: 533 lx  
 E<sub>max</sub>: 793 lx



measuring conditions: d=50cm

